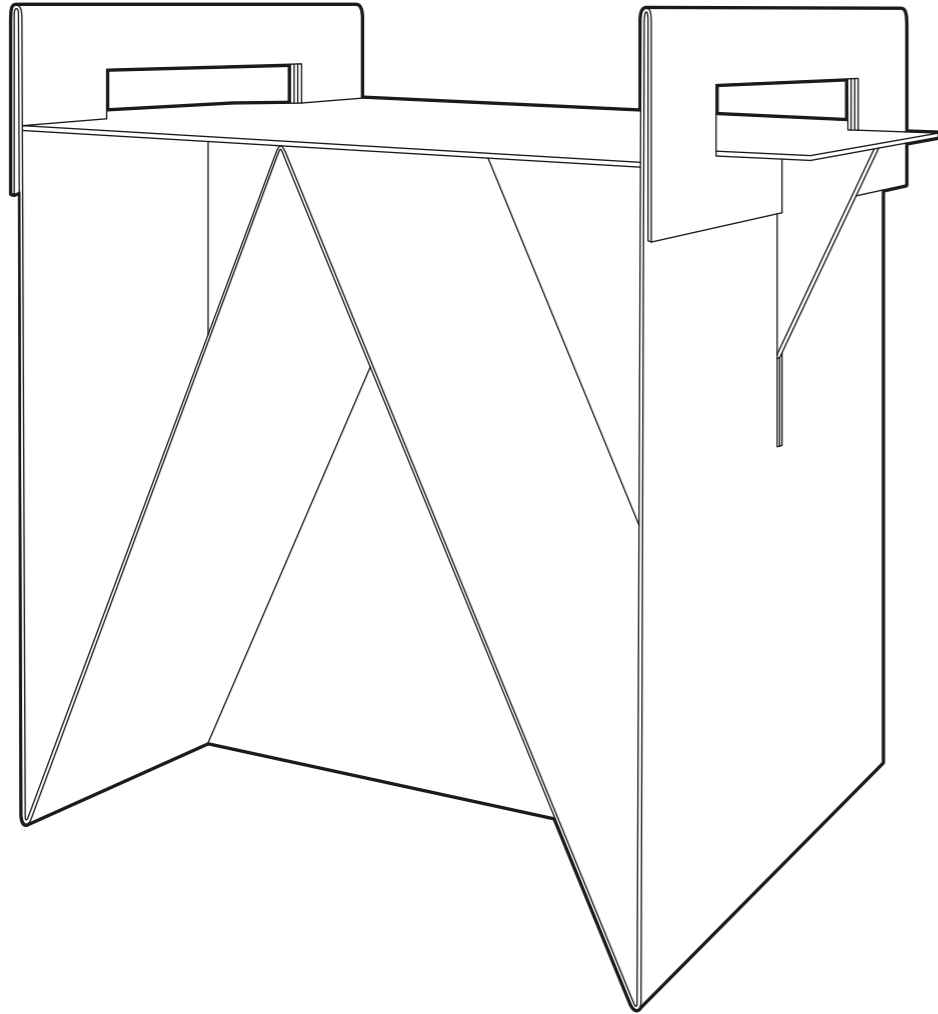
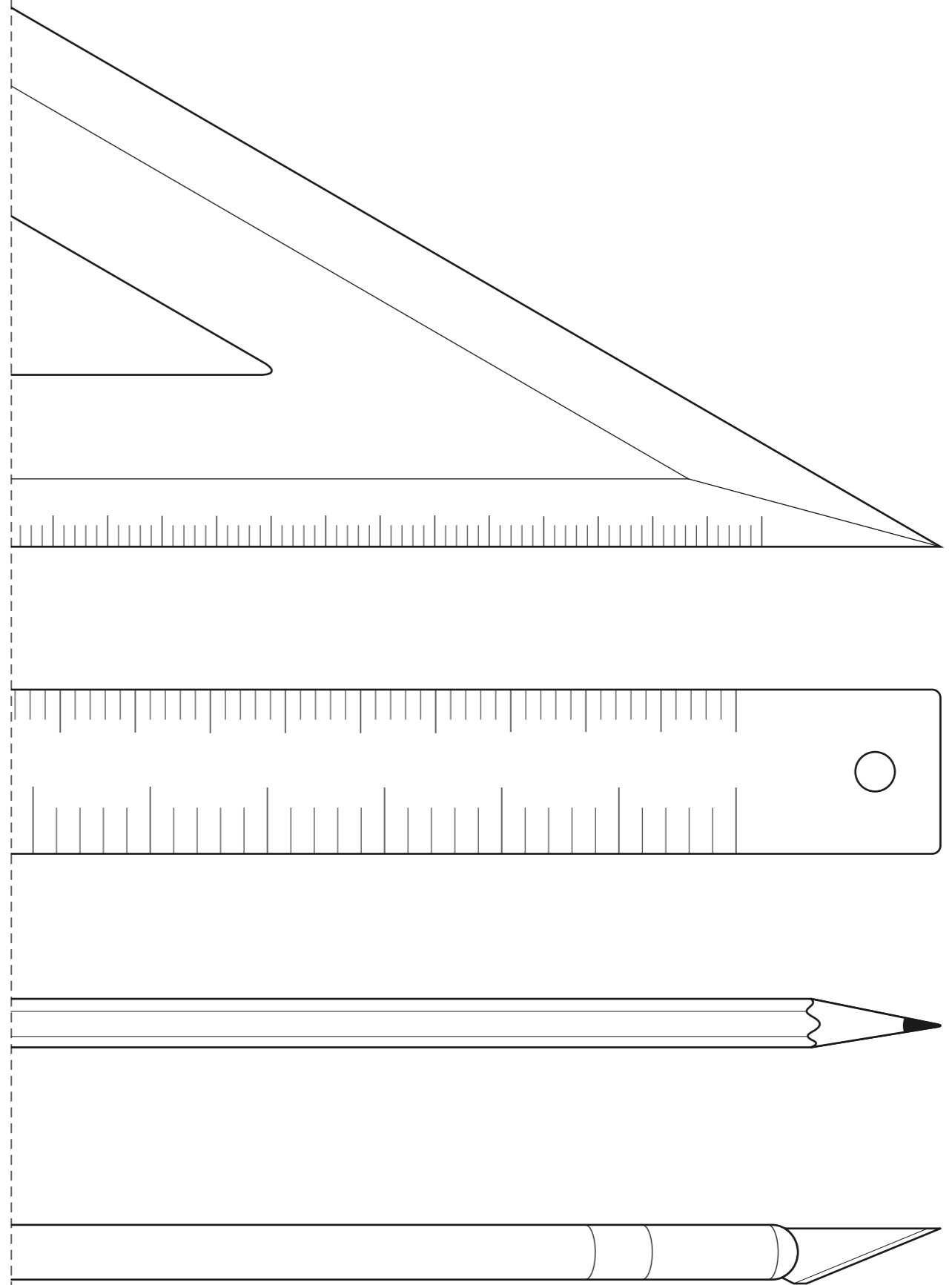


# Nit

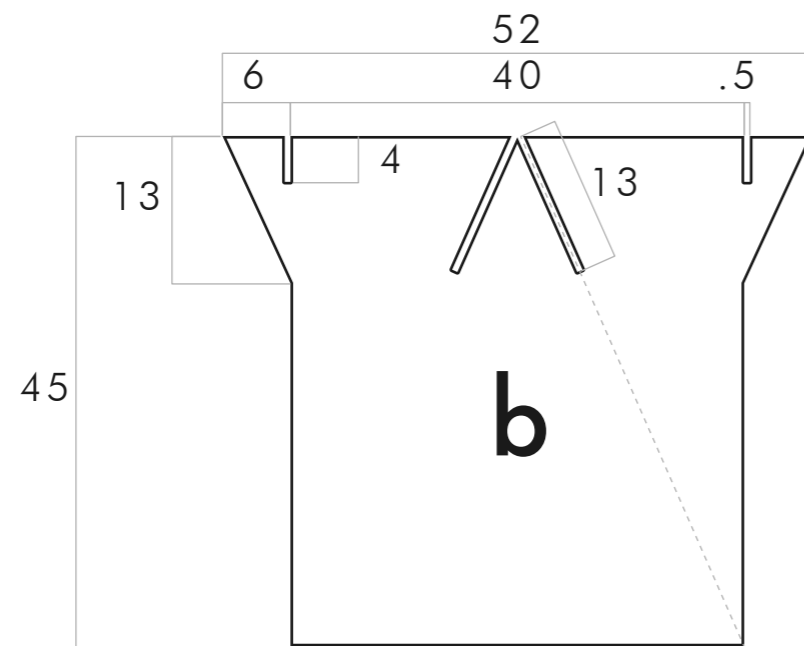
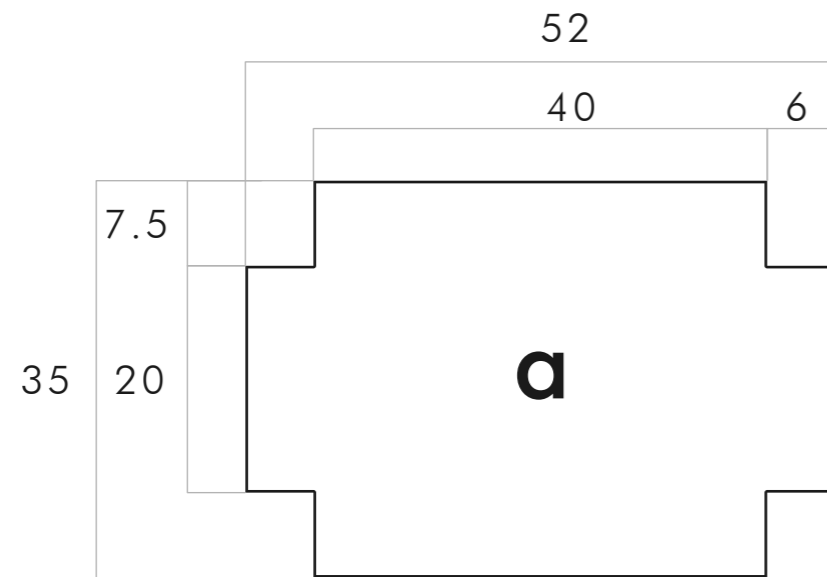


You Need...



# Cut here...

(Dimensions in cm)

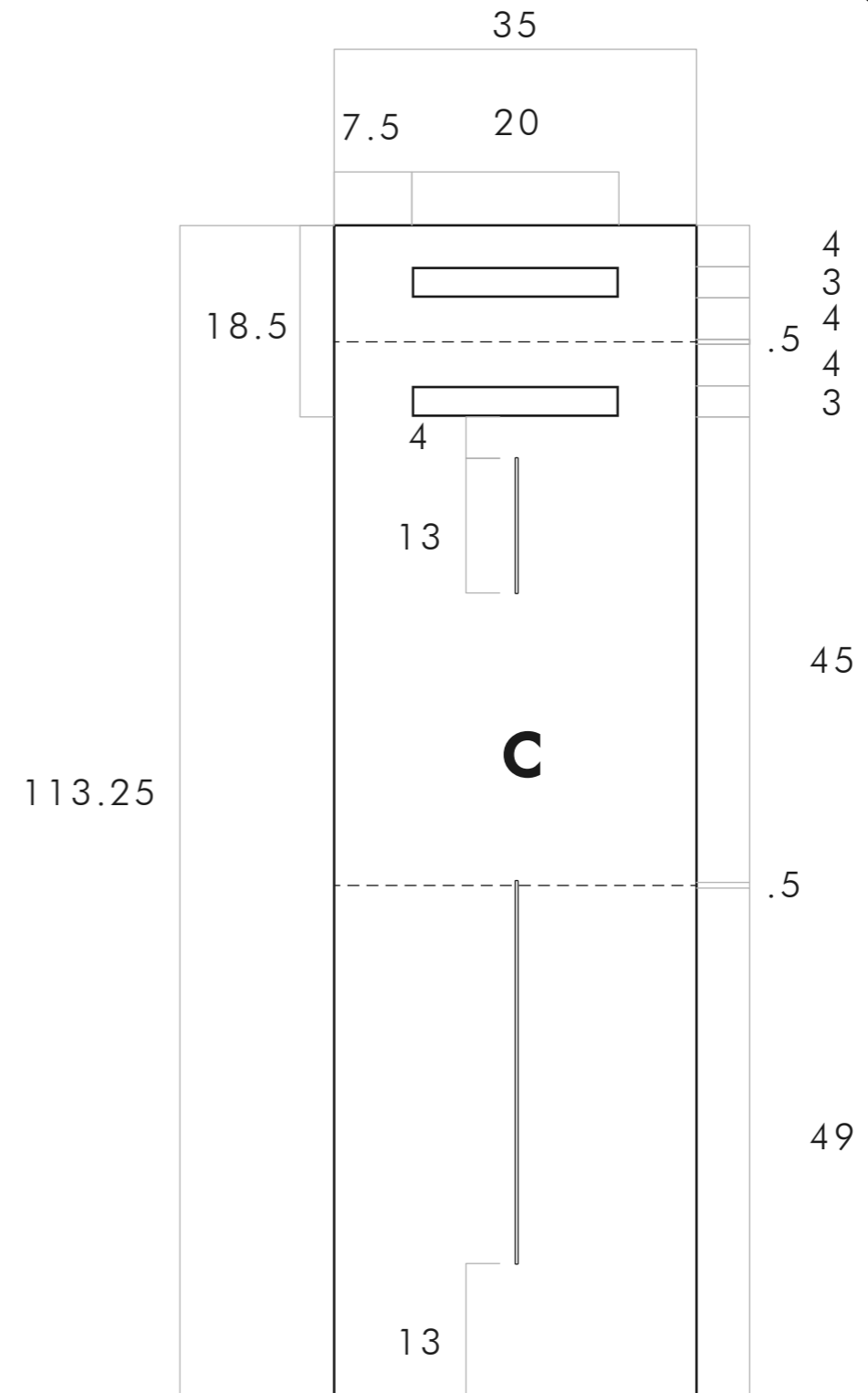
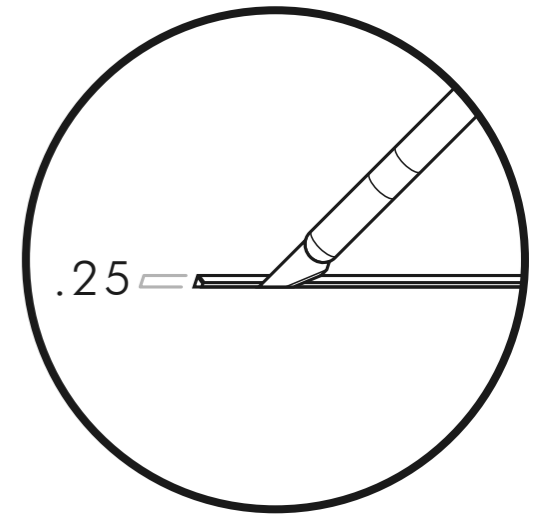


- Dotted lines indicate where to bend cardboard. Allow  $\approx .5$ cm of material for bend.
- Solid lines indicate where to cut cardboard.

# Cut here...

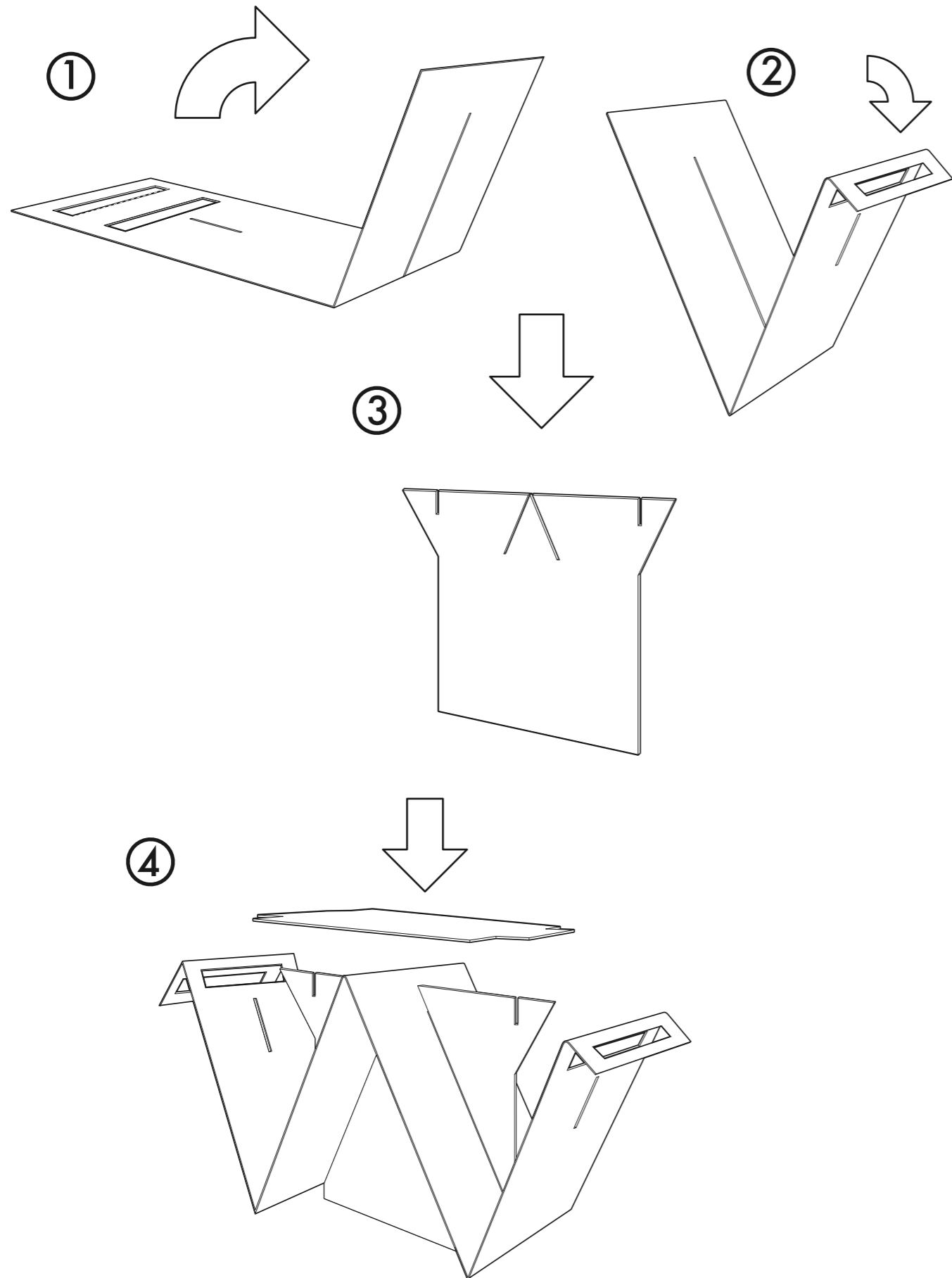
(Dimensions in cm)

All calculations are based on .25 cm thick cardboard.



**x2**

Steps...



Steps...

